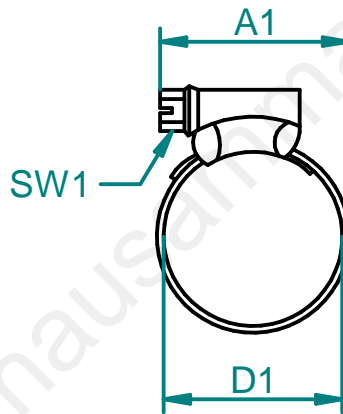


General tolerances ISO 2768-m						Index	Date	Visum	Modification	Index	Date	Visum	Modification
Basic-size	...6	> 6 ...30	> 30 ...120	>120 ...400	> 400 ...1000								
medium	±0.1	±0.2	±0.3	±0.5	±0.8								



Specifications points D,K,H	
D= doc.points	
K= critical	
H= main	

		Material:						
Accord-draw.no.:	Origin-draw.no.:	Replacement for:		HAUSAMMANN KOMponenten PRODUKTION SYSTEME	Scale			
					plotted	Date	Visum	Phone
					checked	17.10.11	E.Z	
			40.531	Solid Edge	Format			
				A4	Index			
				00				
© 2010, Für dieses Dokument behalten wir uns alle Rechte vor.			© 2010, Nous nous reservons tous les droits sur ce document		© 2010, We reserve all rights in connection with this document			